

## SENSiQ™ Secure Mount PLUS (SSM PLUS)

Limit Stop Unit for SENSiQ™ Elastomer Mount for Nominal Loads between 10 t ... 330 t



- Significantly greater stability compared to normal SENSiQ™ Secure Mounts
- Absorbs 40 % of the rated load along the horizontal axis and prevents lifting
- Legal-for-trade
- Design and manufacturing certified after DIN EN 1090-2 EXC 2
- Safety without shunt forces
- Simple and robust construction
- Highly stable against environmental influences and chemicals
- Maintenance-free
- Pre-centered at the factory

### Application

The SENSiQ Secure Mount PLUS is a limit stop and lift-lock used with the SENSiQ™ Elastomer Mount for increased stability.

It is used for industrial scales such as e.g. bin weighers, hopper scales, tank scales and mixed-mode scales and guarantee reliable and secure weighing.

### Equipment

The SENSiQ Secure Mount PLUS consists of a specially reinforced limit stop along a horizontal axis. The structure is freely moveable along the other axis. Furthermore there is a specially reinforced lift lock.

Adjustable screws are used to set the tolerance for the horizontal limit and the lift lock.

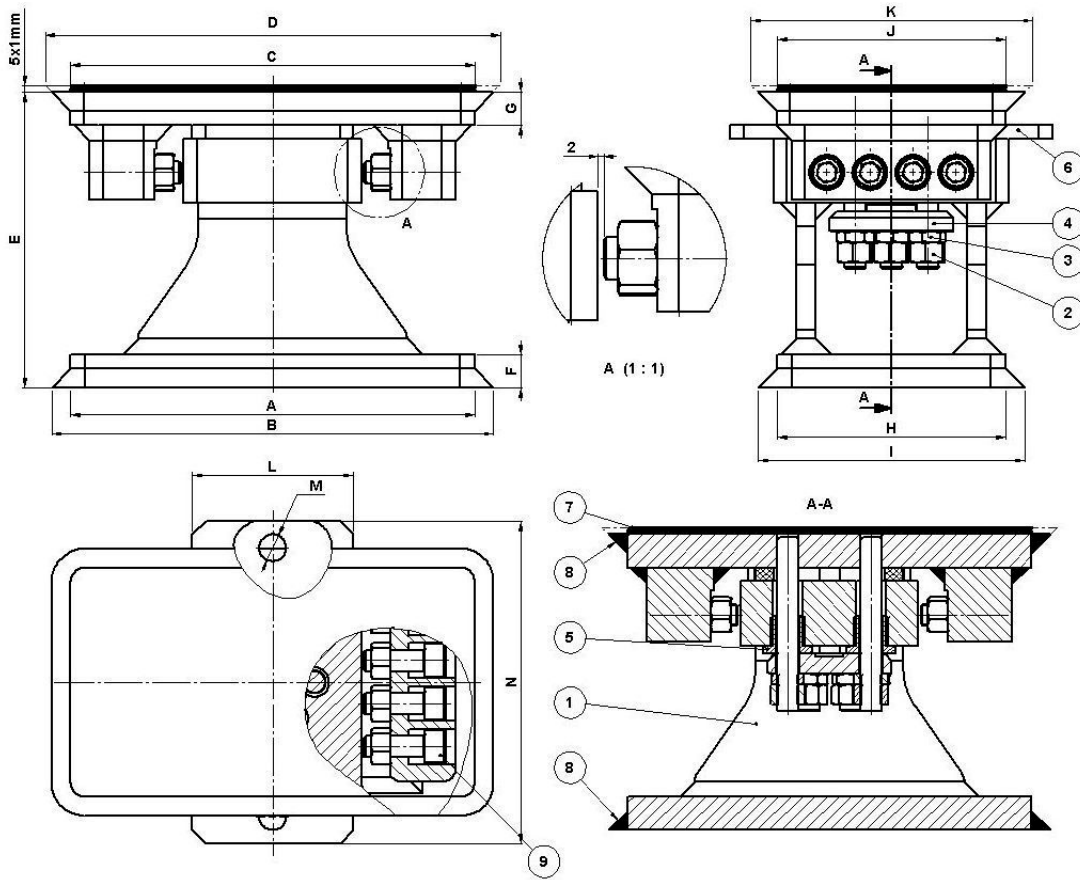
The tolerance also can be adjusted and checked easily in installations with little free space.

In order to compensate for differences in height of SENSiQ Elastomer Mounts, they must be combined with weld-on plates.

### Function

The horizontal limit stop restricts the freedom of movement of the bearing along a horizontal axis. The lift lock prevents the entire structure from tipping over. A control arm is not required, which eases considerably the installation and adjustment and helps to prevent errors.

## Limit stop unit for SENSiQ™ RTN load cells



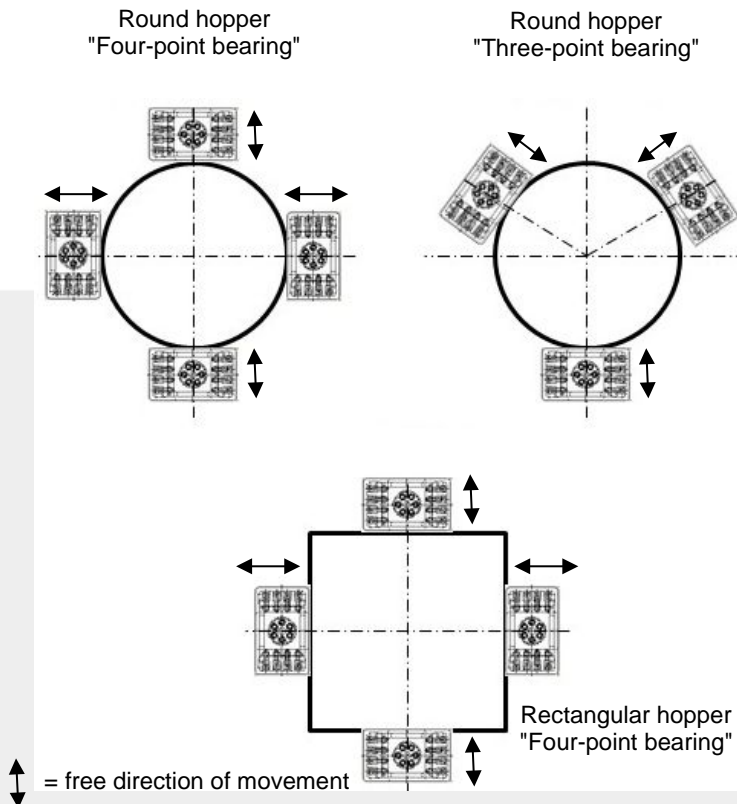
Ref.	Model designation
1	Side panel
2	Lock nut
3	Hexagon nut
4	Compression plate
5	Centering bush
6	Spacer plate
7	Leveling plates are enclosed, suitable for adjustment of heights up to 5 mm
8	Construction site welding seam
9	Stop Screw

### Dimensions

Type	A mm	B mm	C mm	D mm	E* mm	F mm	G mm	H mm	I mm	J mm	K mm	L mm	M	N mm
10 t ... 22 t	250	280	250	290	185	20	20	150	180	150	190	108	M12	220
33 t	300	322	300	340	220	25	25	170	200	170	210	132	M16	240
47 t	370	400	370	410	270	30	35	200	230	200	240	162	M16	280
68 t	440	470	440	480	295	40	40	240	270	240	280	184	M20	320
100 t	550	580	550	590	335	40	50	300	330	300	340	234	M24	400
150 t	650	680	650	690	410	60	60	350	380	350	390	264	M30	440
220 t	800	830	800	840	470	60	70	440	470	440	480	350	M36	560
330 t	1000	1030	1000	1070	525	80	80	550	580	550	620	456	M48	680

\* Height if using SENSiQ Elastomer Mount with 5 shims and a weld-on plate.

## Bearing points arrangement for the SENSiQ Secure Mount PLUS 10 t ... 330 t



**Please Strictly Observe!**

The bearing arrangements shown take only weighing-related technical factors into consideration.

The operator/plant constructor must check and verify the structural safety and stability.

The direction of the temperature-dependent expansion must correspond to the free direction of movement of the SENSiQ Secure Mount PLUS.

### Important information:

The connecting surfaces for the bearings must be planar and metallically bright. The difference in height in the area of the contact surface may not exceed 0.2 mm. Painted surfaces are not suited for mounting the SENSiQ Secure Mount PLUS.

### Technical Data

Available nominal load		10 t ... 330 t
Weight (including load cell)	10 t ... 22 t	23.1 kg
	33 t	42.4 kg
	47 t	78.1 kg
	68 t	118.9 kg
	100 t	218.2 kg
	150 t	389.3 kg
	220 t	679.2 kg
	330 t	1251 kg
Material		S235
Height Compensation		5 mm
Max. permissible inclination of the substructure		0.2°
Max. permissible angle between the upper and lower connecting structures		0.6°
Nominal temperature range (restricted by load cell)		-10 °C ... +40 °C
Operating temperature range (restricted by load cell and limit by material)		-30 °C ... +80 °C

SENSiQ Secure Mount PLUS			Permissible maximum forces	
	with SENSiQ Elastomer Mount and weld-on plate	without SENSiQ Elastomer Mount and without weld-on plate	max. horizontal force	max. vertical force (lift force)
Variants	Order Number	Order Number	kN	kN
10 t ... 22 t	V555055.B03	V555055.B02	88	88
33 t	V555063.B03	V555063.B02	132	132
47 t	V554145.B03	V554145.B02	188	188
68 t	V554775.B03	V554775.B02	272	272
100 t	V554152.B03	V554152.B02	400	400
150 t	V555070.B03	V555070.B02	600	600
220 t	V555077.B03	V555077.B02	880	880
330 t	V555085.B03	V555085.B02	1320	1320
Accessories	Thermal protection plate, splash water protection, weld-on plates			

Separate measures must be implemented if the loads that act on the horizontal limit stops and the lifting lock are impermissibly high.

**The following products also are available**



SENSiQ™ Pendulum Mount  
1 t ... 100 t  
BV-D2025



SENSiQ™ Elastomer Mount  
0.25 t ... 470 t  
BV-D2044



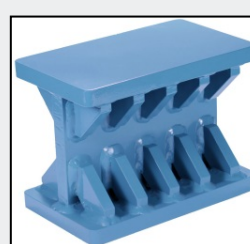
SENSiQ™ Secure Mount  
0.25 t ... 470 t  
BV-D2083



Ring-Torsion Load Cells  
RTN 1 t ... 470 t  
BV-D2019



SENSiQ™ Fixed Mount  
1 t ... 470 t  
BV-D2182



SENSiQ™ Fixed Mount PLUS  
10 t ... 330 t  
BV-D2442

Please contact us for further information on the SENSiQ Secure Mount PLUS and ask for the manual and the detailed planning-in drawings if required.

**Schenck Process Europe GmbH**

Pallaswiesenstr. 100  
64293 Darmstadt, Germany  
T +49 6151 1531 - 0  
F +49 6151 1531 - 66  
sales@schenckprocess.com  
www.schenckprocess.com